

FIXTURE SPECIFICATIONS

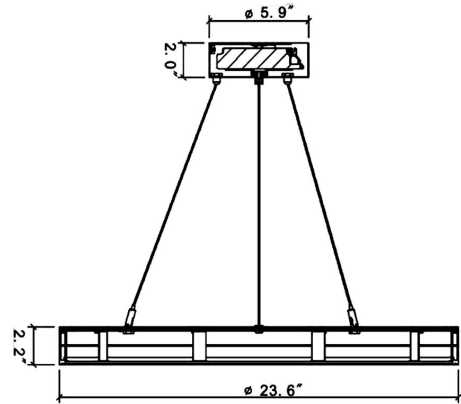
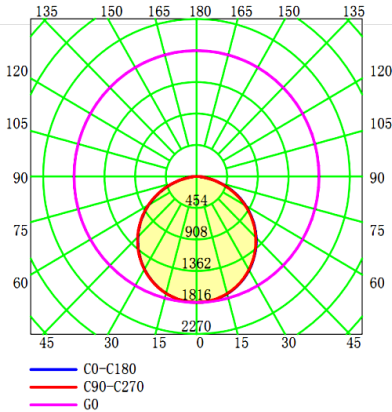
INTENDED USE

The specification grade decorative Skyline Architectural LED Round Light delivers clear circular light to commercial, hospitality and residential interior lighting applications. Our modern, slim profiles and stylish hanging light designs offer excellent direct lighting, indirect lighting, exceptional performance and versatility in offices, classrooms, conference rooms, museums, retail outlets, hotels, restaurants, and more.

FEATURES

- Construction:** White aluminum housing
- Lens:** Polycarbonate
- Mounting:** 72" Adjustable Aircraft Cable included with Pendant Mount (P)
- Voltage:** 120-277VAC 50/60Hz
- Wattage:** 50 Watts
- Power Factor:** >0.95
- Efficacy:** 105 Lumens/Watt
- Dimming:** 0-10V Dimmable
- CRI:** >80
- Beam Angle:** 112°
- Distribution:** Direct only 100% | Direct and Indirect (Direct 80% - Indirect 20%)
- Warranty:** 5 Years Carefree for Parts & Components (Labor Not Included)
- Listings:** cETLus, LM79 & LM80 tested

PHOTOMETRY



ORDERING INFORMATION Example: (12201-P-D-35)

Model	Type	Distribution	Wattage Lumens Color Temperature
12201	P Pendant	D Direct 100% Down	35 50 Watts 4771 Lumens 3500K 40 50 Watts 5197 Lumens 4000K 50 50 Watts 5267 Lumens 5000K
		S ¹ Surface	D/I Direct / Indirect 80% Down / 20% Up

¹ Not available in D/I.